

ABH[®]

CONTINUOUS GEAR HINGES



UL LISTED



ARCHITECTURAL BUILDERS HARDWARE MFG., INC.
500 Crossen Ave. • Elk Grove Village, IL 60007
Call: 847.437.9901 • Fax Toll Free: 800.9FAXABH (932.9224)
www.abhmfg.com • e-mail: abhinfo@abhmfg.com
ABH is a certified minority manufacturer.

MADE IN THE U.S.A.

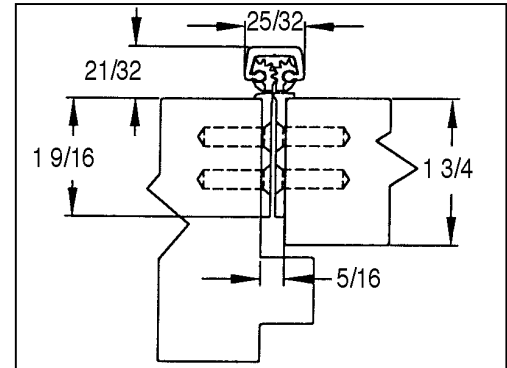
HingeKing Continuous Gear Hinges are all heavy duty at standard duty prices. All hinges have double the number of bearings of standard duty hinges and are pinless. There are no accessible screws, bolts or pins when the door is closed. **HingeKing** gear hinges are surface applied to the frame and door. No machining is required. Whether surface mount or concealed, the **HingeKing** continuous gear hinges eliminate the gap between the door and frame, and provide a weatherproof, tamper-proof barrier. The **HingeKing** gear hinge is templated and the hole pattern is the same from hinge to hinge.

- Extruded 6063-T6 aluminum alloy
- Polyacetal thrust bearings
- 83", 85", 95" and 120" are standard. Other sizes available
- **HingeKing** continuous gear hinges are offered in 30 minute clear anodized and 2-step dark bronze anodized
- **HingeKing** gear hinges are non-handed unless cut in the field. When field cut, the hinge becomes handed
- #12-24 x 1/2" self-tapping flathead Phillips undercut screws are standard for concealed hinges. Other screws available.
- **ABH can provide any custom mounting hole location per customer specifications.**

CONCEALED

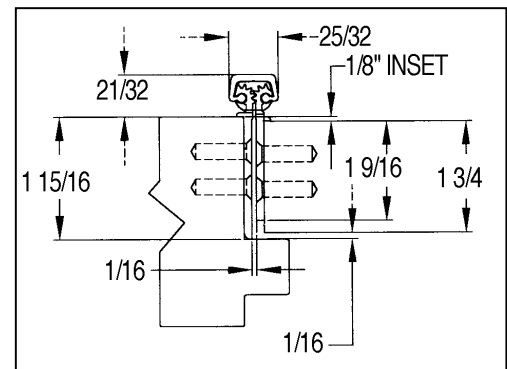
A110HD/A110LL

- Concealed
- For new construction
- For renovation with new doors and/or frames
- No mortising of doors or frames required.
- Will cover butt hinge cutouts in old frames
- Flush Mount, no inset
- For doors up to 450 lbs.
- LL for doors up to 1000 lbs.
- 83" can be field cut to 79" without cutting thru a bearing or mounting holes



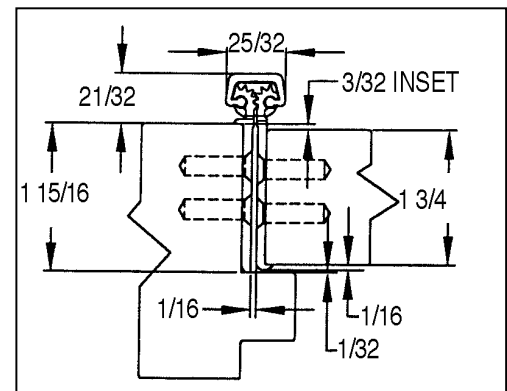
A111HD/A111LL

- Concealed
- 1/8" inset
- For new construction
- For renovation with new doors and/or frames
- Will cover butt hinge cutouts in old frames
- For doors up to 450 lbs.
- LL for doors up to 1000 lbs.
- 83" can be field cut to 79" without cutting thru a bearing or mounting holes



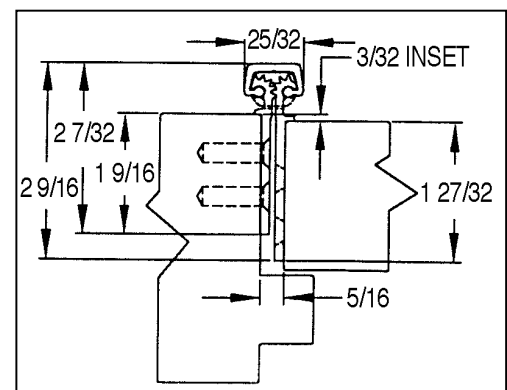
A240HD/A240LL

- Concealed
- For new construction
- For renovation with new doors and/or frames
- No mortising of doors or frames required.
- Will cover butt hinge cutouts in old frames
- 3/32" door inset
- Door Edge Protector
- For doors up to 450 lbs.
- LL for doors up to 1000 lbs.
- 83" can be field cut to 79" without cutting thru a bearing or mounting holes



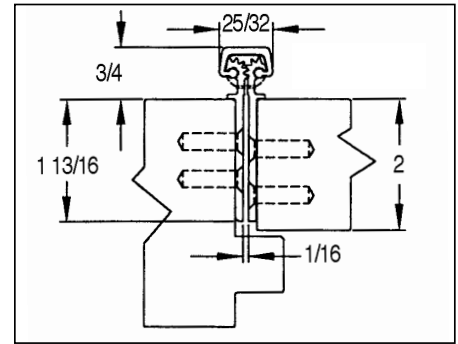
A260HD For 2" Doors

- Concealed
- For new construction
- For renovation with new doors and/or frames
- No mortising of doors or frames required.
- Will cover butt hinge cutouts in old frames
- Staggered hole pattern
- 3/32" door inset
- For doors up to 450 lbs.
- 83" can be field cut to 79" without cutting thru a bearing or mounting holes



A270HD/A270LL For 2" Doors

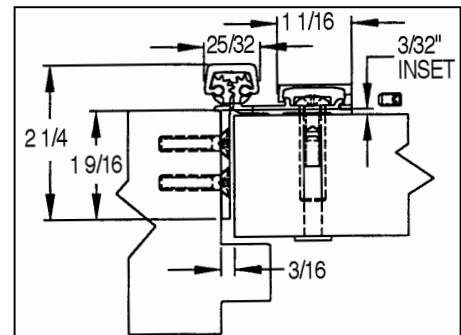
- Concealed
- For new construction
- For renovation with new doors and/or frames
- No mortising of doors or frames required.
- Will cover butt hinge cutouts in old frames
- Flush Mount, no inset
- For doors up to 450 lbs.
- LL for doors up to 1000 lbs.
- 83" can be field cut to 79" without cutting thru a bearing or mounting holes



HALF SURFACE

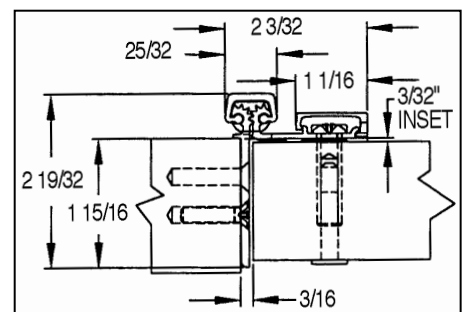
A530HD

- Half surface
- 1-9/16" frame leaf
- Permanent replacement for existing frame and new door
- 3/32" inset
- For doors up to 450 lbs.
- 83" can be field cut to 79" without cutting thru a bearing or mounting holes



A540HD

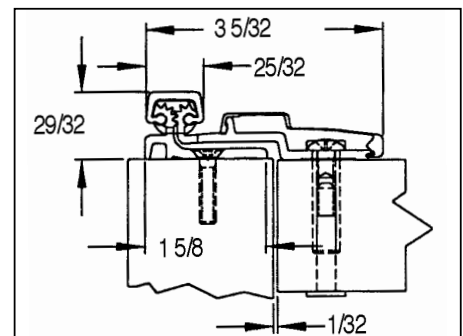
- Half surface
- 1-29/32" frame leaf
- Permanent replacement for existing frame and new door
- 3/32" inset
- For doors up to 450 lbs.
- 83" can be field cut to 79" without cutting thru a bearing or mounting holes



FULL SURFACE

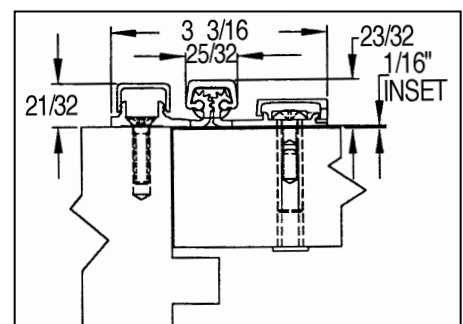
A210HD Swing Clear

- Full Surface
- Swings door completely out of door opening
- Permanent replacement for existing doors and frames
- For new construction
- Flush mount, no inset
- For doors up to 450 lbs.
- 83" can be field cut to 79" without cutting thru a bearing or mounting holes



A570HD For Narrow Frames

- Full surface
- 7/8" minimum frame
- Permanent replacement for existing doors and frames
- 1/16" inset
- For doors up to 450 lbs.
- 83" can be field cut to 79" without cutting thru a bearing or mounting holes



ABH	PEMKO	BOMMER	McKINNEY	ROTON	SELECT	ZERO
A110HD	CFMSLF CFMSLFHD	FMSLF FMSLFHD	MCK-12 MCK-12HD	780-112 780-112HD	SL-11 SL-11HD	910 910DB
A111HD	CFM-SLI CFM-SLIHD	FM-SLI FM-SLIHD		780-111 780-111HD		
A210HD	CFS CFSHD	FS FSHD	MCK-22 MCK-22HD	780-210 780-210HD	SL-21 SL-21HD	930 930DB
A240HD	CFM CFMHD	FM FMHD	MCK-25 MCK-25HD	780-224 780-224HD	SL-24 SL-24HD	
A260HD					SL-26 SL-26HD	
A270HD				780-226 780-226HD	SL-27 SL-27HD	
A530HD			MCK-53 MCK-53HD	780-053 780-053HD	SL-53 SL-53HD	920 920DB
A540HD	CHS CHSHD	HS HSHD	MCK-54 MCK-54HD	780-054 780-054HD	SL-54 SL-54HD	920 920DB
A570HD	CFSCP CFSCPHD	FS-2002 FS-2002HD	MCK-58 MCK-58HD	780-157 780-157HD	SL-57 SL-57HD	935 935DB

HOW TO ORDER:

Example: A110HDD085

1st - 4th Digit defines series AXXX

5th & 6th digits indicates hinge type HD=Heavy Duty, LL= Lead Lined

7th digit indicates finish C=Clear Aluminum, D=Dark Bronze

8th - 10th digits defines lengths 083, 085, 095, 120

11th + digits indicates options

OPTIONS

F - For fire rated doors

Electrical Hinge Modification

EC - Exposed Electrical Contacts. Indicate number of contacts, handing

ES - Exposed Electrical Switch. Indicate handing

TW - Concealed Electrical Through Wire. Indicate number of wires, handing

EM - Concealed Electric Monitoring. Indicate handing

WM - Concealed Electric Through Wire and Monitoring. Indicate number of wires and handing

PT - Power Transfer - Specify dimension from the top of the hinge to the centerline
of the power transfer cut-out

GUARANTEE

ABH Manufacturing guarantees these products to be free from defects in materials or workmanship under normal use and service for the life of the opening. ABH liability under this guarantee is limited to replacement for goods proven to be defective in material or workmanship. Claims for faulty or improper installation, consequent damages, repairs or backcharges will not be allowed. This guarantee does not cover defects or damage resulting from vandalism, abuse, improper maintenance, improper storage, shipping or handling, or painting of product in the field. ABH makes no other guarantee or warranty either expressed or implied.

Architectural Builders Hardware Mfg., Inc.

500 Crossen Ave.

Elk Grove Village, IL 60007

847.437.9901; FAX 800.9FAXABH (932.9224)

E-mail: abhinfo@abhmfg.com

ABH is a minority
owned and operated
manufacturing company

© 2002 ABH Mfg., Inc.
Printed in USA 05/02



Visit our web site at <http://www.abhmfg.com>