



Designing for Life

Behavioral Health Application
Ligature Resistant Flip Up Hospital Latch

A:H[®]
Healthcare Solutions



LRF6000Q – Quiet Cylindrical Latch
LRF6600 – Mortise Lock

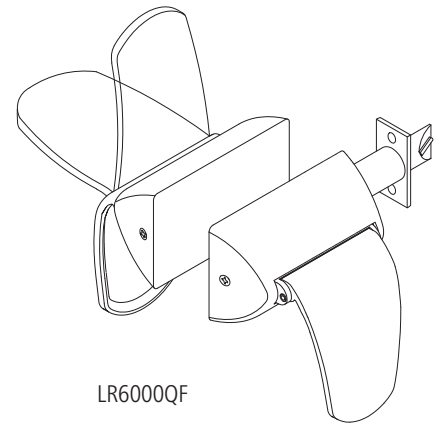
T: 630.875.9900 W: www.abhmfg.com E: abhinfo@abhmfg.com

patent pending

LRF6000Q – Flip-Up Ligature-Resistant Quiet Cylindrical Latch

Standard Features

- **Push Side Flip-Up Paddle Can Flip Up 180°**
 - Ligature-resistant design provides a sleek look as well as functionality not commonly found in push/pull trim
 - 1- $\frac{3}{4}$ " standard door thickness (specify if different)
 - Meets ADA requirements
- **Available in 2- $\frac{3}{4}$ ", 3- $\frac{3}{4}$ ", 5", & 7" Backset**
 - Trim is mounted using four thru-bolts for maximum stability
 - UL Listed in U.S.A. and Canada for use on door fire rated 90 minutes or less, up to 4'0" x 8'0"
 - Custom engraving available
 - Available in all Finishes
 - Patents Pending



LRF6600 Series – Ligature-Resistant Flip-Up Trim with Mortise Lock Body

Standard Features

- **Flip Up to 180 Degrees**
 - Mortise lock body provided – specify function
 - Ligature-resistant design provides a sleek look as well as functionality not commonly found in push/pull trim
 - Mortise lock body only available in 2- $\frac{3}{4}$ " backset
 - 4- $\frac{7}{8}$ " ASA strike supplied standard
 - $\frac{3}{4}$ " latch bolt throw
 - Mortise lock cylinder and cam not provided
 - 1- $\frac{3}{4}$ " standard door thickness minimum (specify if other than 1- $\frac{3}{4}$ ")
 - Meets ADA requirements
 - All mounting hardware goes through mortise lock body prep – no additional prep required
 - Trim is non-handed; however, the mortise lock body is handed (can be changed in field)
 - UL Listed in U.S.A and Canada for use on door fire rated 90 minutes or less, up to 4'0" x 8'0"
 - Available in all Finishes
 - Patents Pending

